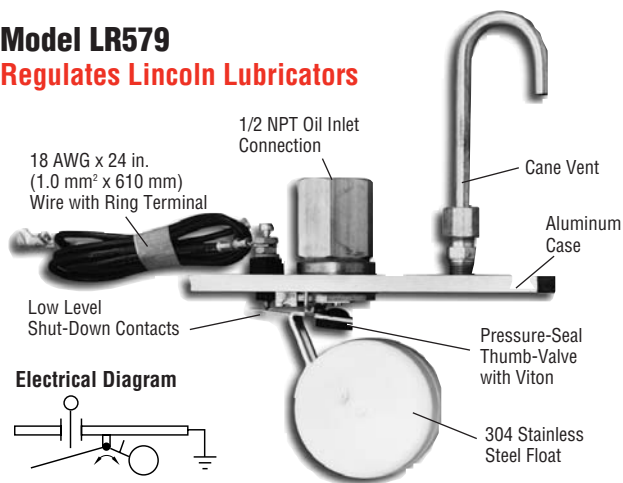
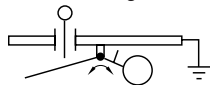


# Oil Level Regulators for Lubricators

## Model LR579 Regulates Lincoln Lubricators

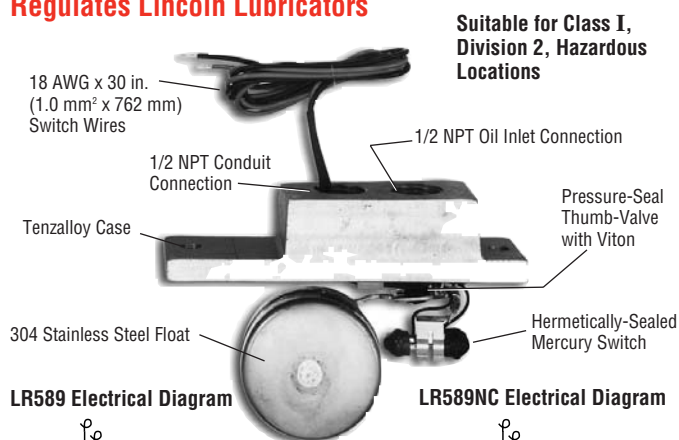


### Electrical Diagram



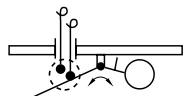
Switch Rating: 2A @ 20 V AC/DC, resistive

## Models LR589 and LR589NC Regulates Lincoln Lubricators



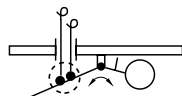
Suitable for Class I,  
 Division 2, Hazardous  
 Locations

### LR589 Electrical Diagram



Switch Rating: 1A @ 120 V

### LR589NC Electrical Diagram



Switch Rating: 1A @ 120 V

## LR500 Series

- Unique Anti-Clog Thumb-Valve™
- Regulate Oil Flow From Reservoir to Keep Lubricator Full
- Eliminates Manual Oil Check and Refill Time
- Low-level Shutdown Switch
- Reduce Engine and Pump Repairs Caused By Low Lube Level

## Description

The LR500 Series Level Regulators automatically add oil to a lubricator to maintain the factory recommended level. This function eliminates the work time necessary for manual checks and refills.

Each model has a low-level shutdown switch to protect equipment when oil supply is lost. If the lubricator oil level drops below the minimum operations level, the low-level switch will operate an alarm and/or shutdown the equipment.

Model **LR579** is for Lincoln lubricators. It features an adjustable low-level shutdown contact.

**LR589** is for Lincoln lubricators, and the **LR589NC** is the normally closed wired version of the LR589.

## How to Order

Specify model when ordering.

**LR579**

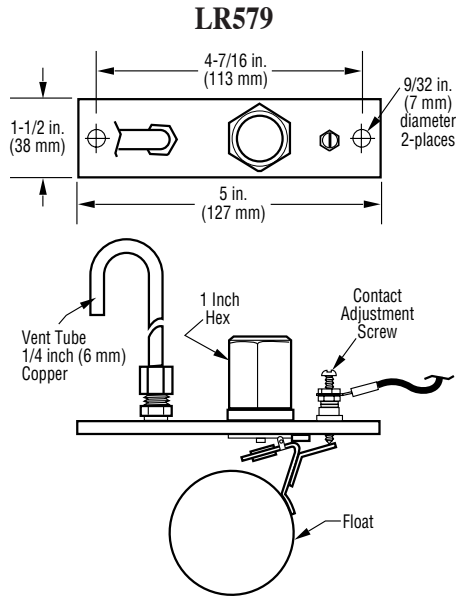
**LR589**

**LR589NC**

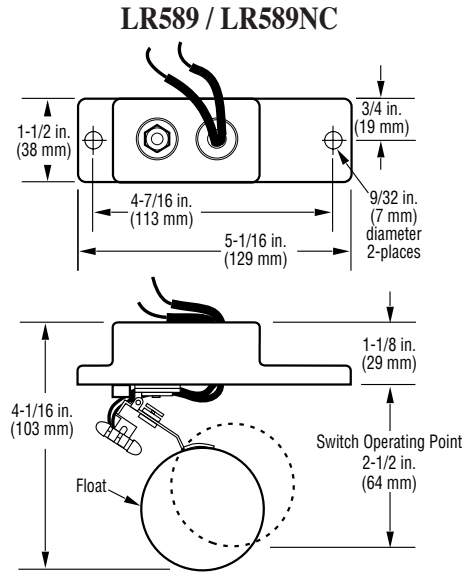
## Warranty

A limited warranty on materials and workmanship is given with this FW Murphy product. A copy of the warranty may be viewed or printed by going to [www.fwmurphy.com/support/warranty.htm](http://www.fwmurphy.com/support/warranty.htm)

# Dimensions



**Shipping Weight:** 13 oz. (368 g).  
**Shipping Dimensions:** 4-3/4 x 4-3/4 x 3-1/4 in.  
 (121 x 121 x 83 mm).



**Shipping Weight:** 12 oz. (340 g).  
**Shipping Dimensions:** 4-3/4 x 4-3/4 x 2-3/4 in.  
 (121 x 121 x 70 mm)

# Installation

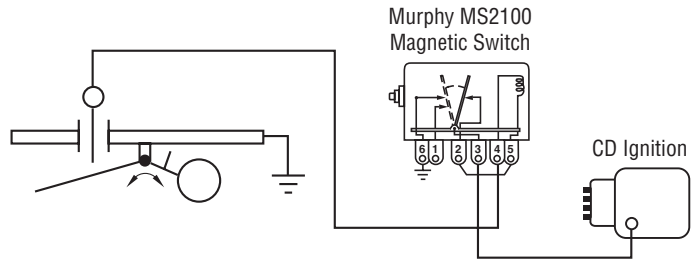
## WARNING

Before beginning installation of this Murphy product:

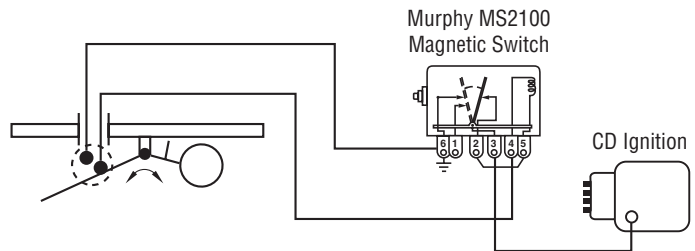
- ✓ Disconnect ALL electrical power to the machine.
- ✓ Make sure the machine CANNOT operate during installation.
- ✓ Follow all safety warnings of the machine manufacturer.
- ✓ Read and follow all installation instructions.

1. Remove the cover on a vacant cell of the lubricator (DO NOT install in bays next to crank arm).
2. Bolt the level regulator in place, using the bolts that held the cover.
3. Connect the flex hose from the oil reservoir to the oil inlet at the level regulator. Oil reservoir must be at least two feet (0.61 meters) above the level regulator.
4. Wire switch for alarm and/or shutdown. One switch can be used to shut-down all equipment supplied by a common oil reservoir.

### Typical Wiring for LR579



### Typical Wiring for LR589



**MURPHY**

**FW Murphy**  
 P.O. Box 470248  
 Tulsa, Oklahoma 74147 USA  
 +1 918 317 4100  
 fax +1 918 317 4266  
 e-mail sales@fwmurphy.com  
 www.fwmurphy.com

**CONTROL SYSTEMS & SERVICES DIVISION**  
 P.O. Box 1819; Rosenberg, Texas 77471; USA  
 +1 281 633 4500 fax +1 281 633 4588  
 e-mail sales@fwmurphy.com

**MURPHY DE MEXICO, S.A. DE C.V.**  
 Blvd. Antonio Rocha Cordero 300, Fracción del Aguaje  
 San Luis Potosí, S.L.P.; México 78384  
 +52 444 8206264 fax +52 444 8206336  
 Villahermosa Office +52 993 3162117  
 e-mail ventas@murphymex.com.mx  
 www.murphymex.com.mx

**FRANK W. MURPHY, LTD.**  
 Church Rd.; Laverstock, Salisbury SP1 1QZ; U.K.  
 +44 1722 410055 fax +44 1722 410088  
 e-mail sales@fwmurphy.co.uk  
 www.fwmurphy.co.uk

**MURPHY SWITCH OF CALIFORNIA**  
 41343 12th Street West  
 Palmdale, California 93551-1442; USA  
 +1 661 272 4700 fax +1 661 947 7570  
 e-mail sales@murphyswitch.com  
 www.murphyswitch.com

**MACQUARRIE CORPORATION**  
 1620 Hume Highway  
 Campbellfield, Vic 3061; Australia  
 +61 3 9358 5555 fax +61 3 9358 5558  
 e-mail murphy@macquarrie.com.au

