

CVT500/501 series

Current and Voltage Trip Relays



- **General purpose signal monitoring**
- **Wide selection of DC and AC input ranges**
- **Compact DIN rail/surface mount unit**

Description

The CVT500/501 is a range of general purpose signal monitoring and trip relays. The units may be configured for use with a wide variety of sources and sensors. Applications include the monitoring of voltage and current levels, pressure and fluid level transmitters, thermocouples and earth leakage signals.

The CVT500 is designed to monitor DC input signals, while the CVT501 accepts AC inputs. When powered up, the CVT compares the measured input signal with the trip value (as set by the user on a front facia potentiometer) and operates its trip relay accordingly. The CVT may be supplied so that the relay de-energises when the input signal is high or low (when compared to the set trip point).

The trip point potentiometer is screwdriver adjustable. Each pot. has 0 - 100% scale, representing a customer specified range: common ranges include 0–5mA, 4–20mA, 0–250mA, 0–5V and 0–10V. The CVT500 may also be configured for use with J or K type thermocouple inputs, with trip ranges of 0–200°C, 300°C, 400°C and 800°C.

The output on standard, single input units is by volt free, two-pole change-over relay contacts. A front facia LED indicates when the relay is energised.

Dual versions of the CVT are also available (the CVT500-2 and CVT501-2). These comprise two independent CVT circuit boards in one standard DIN case, each with its own trip point adjustment and LED indicator. The outputs on dual units are via single pole change-over relays.

Specification

	CVT500	CVT500-2	CVT501	CVT501-2
Power supply:				
operating voltage	100 – 125 VAC or 200 – 250 VAC			
power consumption	< 4 VA	< 8 VA	< 4 VA	< 8 VA
Input:				
signal/trip ranges	various scales in the ranges:			
	5 mV to 150 V DC		5 V to 200 V AC	
	1 mA to 5 A DC		1 mA to 5A AC	
sensitivity	0.05 mV		50 mV	
Relay output contacts:	DPDT	2 x SPDT	DPDT	2 x SPDT
	all contacts rated 5 A max. @ 240 VAC (resistive load), 2 x 10 ⁵ operations			
General:				
operating temp.	–10 to +55 °C			
approximate weight	202 g	370 g	202 g	370 g

All units are powered from an auxiliary AC supply, nominal voltage 110 or 230 VAC (please specify). The CVT series is housed in a compact polycarbonate case, designed for DIN rail or surface mounting.

Warranty

A two year limited warranty on materials and workmanship is given with this Murphy product. Details are available on request and are packed with each unit.



FWMurphy

PO Box 470248
 Tulsa, Oklahoma 74147, USA
 tel: +1 918 317 4100
 fax: +1 918 317 4266
 email: sales@fwmurphy.com
 web: www.fwmurphy.com

CONTROL SYSTEMS AND SERVICES DIVISION
 PO Box 1819, Rosenberg, Texas 77471, USA
 tel: +1 281 342 0297
 fax: +1 281 341 6006
 email: sales@fwmurphy.com

MURPHY DE MEXICO S.A. DE C.V.
 Blvd. Antonio Rocha Cordero 300, Fracción del Aguaje
 San Luis Potosí, S.L.P. México 78384
 tel: +52 444 8206264
 fax: +52 444 8206336
 Villahermosa office tel: +52 993 3162117
 email: ventasmex@murphymex.com.mx
 web: www.murphymex.com.mx

FRANK W. MURPHY LTD.
 Church Rd, Laverstock, Salisbury, SP1 1QZ, UK
 tel: +44 1722 410055
 fax: +44 1722 410088
 email: sales@fwmurphy.co.uk
 web: www.fwmurphy.co.uk

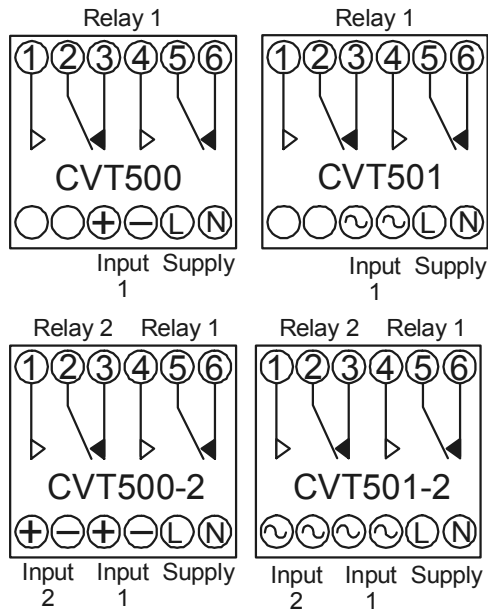
MURPHY SWITCH OF CALIFORNIA
 41343 12th Street West,
 Palmdale, CA 93551-1442, USA
 tel: +1 661 272 4700
 fax: +1 661 947 7570
 email: sales@murphyswitch.com
 web: www.murphyswitch.com

MACQUARRIE CORPORATION
 1620 Hume Highway,
 Campbellfield, Victoria 3061, Australia
 tel: +61 3 9358 5555
 fax: +61 3 9358 5558
 email: murphy@macquarrie.com.au



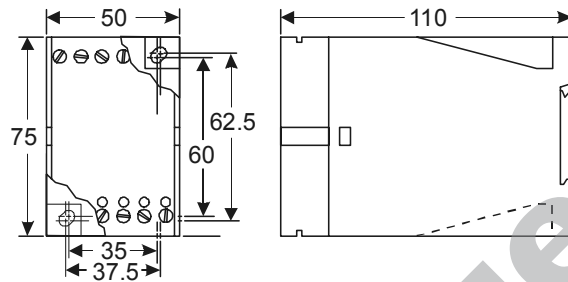
USA - ISO9001:2000 FM 28221
 UK - ISO9001:2000 FM 29422

Electrical connection



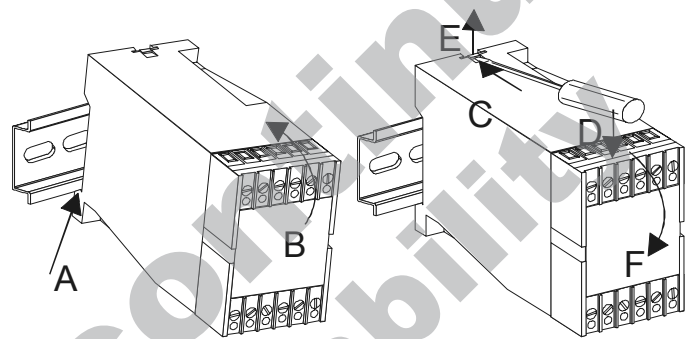
Dimensions and fixing

Overall and surface fixing dimensions



DIN rail fixing

Removal



How to order

Base Models:-

- CVT500** DC input signals, 1 x DPDT relay output
- CVT500-2** Dual version of above, SPDT relay output for each input channel
- CVT501** AC input trip relay, 1 x DPDT relay output
- CVT501-2** Dual version of above, SPDT relay output for each input channel

When ordering, please specify:

- Base model reference (CVT500 or CVT501)
- Power supply voltage (110 VAC or 230 VAC)
- Input signal voltage or current range, or thermocouple type and temperature range
- Relay de-energisation on high or low input

Related products:-

Model / Description

UVR, OVR and PFR series - AC voltage relays, single and 3 phase

See bulletin

ms6261



FWMurphy

PO Box 470248
Tulsa, Oklahoma 74147, USA
tel: +1 918 317 4100
fax: +1 918 317 4266
email: sales@fwmurphy.com
web: www.fwmurphy.com

CONTROL SYSTEMS AND SERVICES DIVISION
PO Box 1819, Rosenberg, Texas 77471, USA
tel: +1 281 342 0297
fax: +1 281 341 6006
email: sales@fwmurphy.com

MURPHY DE MEXICO S.A. DE C.V.
Blvd. Antonio Rocha Cordero 300, Fracción del Aguaje
San Luis Potosí, S.L.P. México 78384
tel: +52 444 8206264
fax: +52 444 8206336
Villahermosa office tel: +52 993 3162117
email: ventasmex@murphymex.com.mx
web: www.murphymex.com.mx

FRANK W. MURPHY LTD.
Church Rd, Laverstock, Salisbury, SP1 1QZ, UK
tel: +44 1722 410055
fax: +44 1722 410088
email: sales@fwmurphy.co.uk
web: www.fwmurphy.co.uk

MURPHY SWITCH OF CALIFORNIA
41343 12th Street West,
Palmdale, CA 93551-1442, USA
tel: +1 661 272 4700
fax: +1 661 947 7570
email: sales@murphyswitch.com
web: www.murphyswitch.com

MACQUARRIE CORPORATION
1620 Hume Highway,
Campbellfield, Victoria 3061, Australia
tel: +61 3 9358 5555
fax: +61 3 9358 5558
email: murphy@macquarrie.com.au



USA - ISO9001:2000 FM 28221
UK - ISO9001:2000 FM 29422

In order to consistently bring you the highest quality, full featured products, we reserve the right to change our specifications and designs at any time.