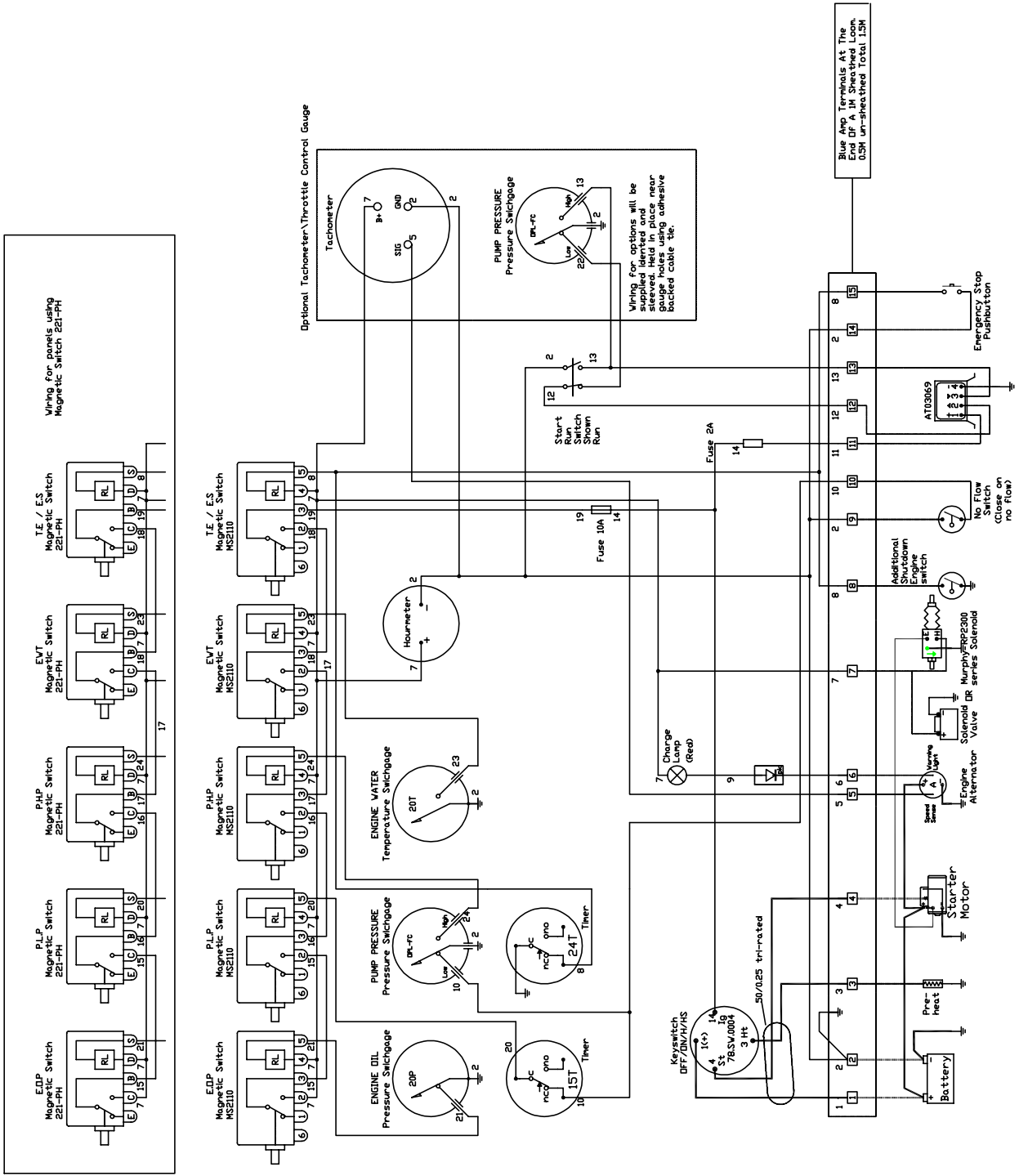


IF IN DOUBT ASK



Typical Engine Wiring Shown  
 All electrical equipment fitted  
 unless otherwise stated  
 Panel wiring is 16/02 tri-rated  
 All screw holes are provided  
 in place via the screw holes provided



SWITCHAGE HOUSE  
 CHURCH ROAD, LAYERSTOCK  
 SALISBURY, ENGLAND SP1 1QZ  
 TELEPHONE 01722 410055  
 FAX 01722 410088  
 TELEX 477088

TITLE	Diagnostic Centre Door
DRAWING NO	ZE5003

MAT.	n/
FINISH	n/a
SCALE	n/a
DRAWN AS	AS
DATE	26-02-99

Customer	Murphy works order number
----------	---------------------------

REVISION	DETAILS	DATE	NAME
C	Change to AT03069 Controller	03/02/05	CAL
B	Change to MS2110	19/8/03	GR
A	Wire Numbers Updated	01-03-99	AS
	Magswitch Text Updated		